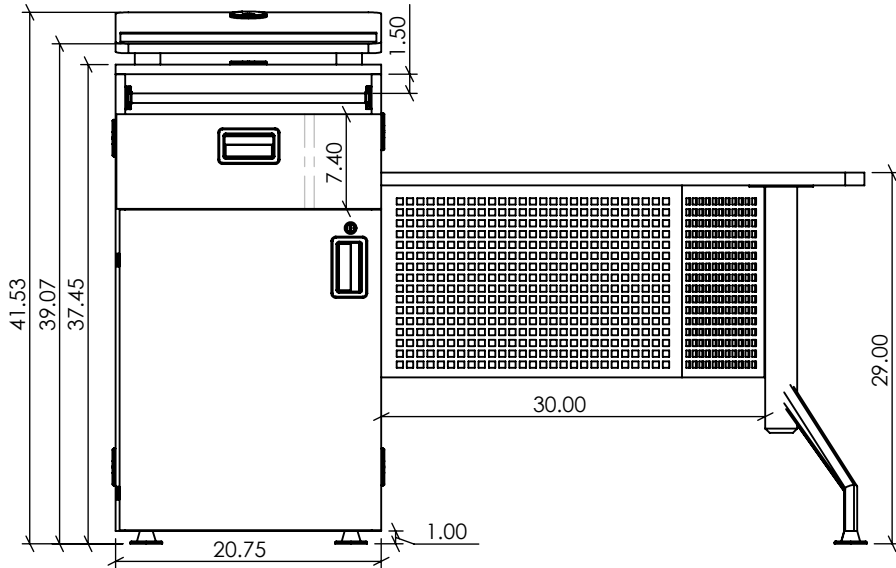
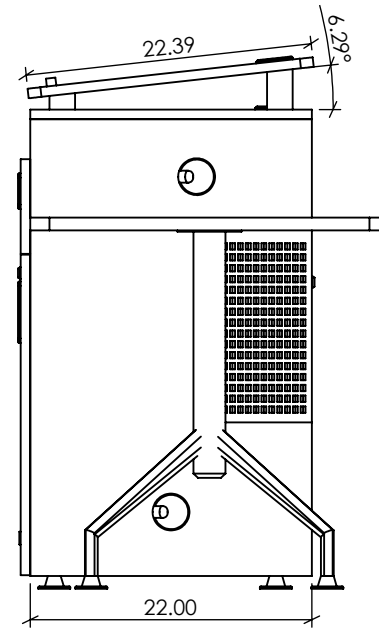


Top View



Presenter View



Left View



TITLE:  
PMT-100-L-RT

SCALE: 1:15 Date: March 18, 2021 SIGN OFF:

WEIGHT: Customer:

SHEET 1 OF 3 Model: Levelers

FINISH COMMENTS:

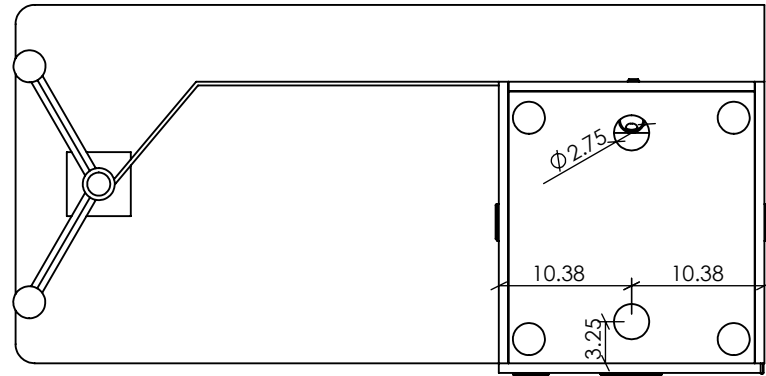
SIZE DWG. NO. REV

A

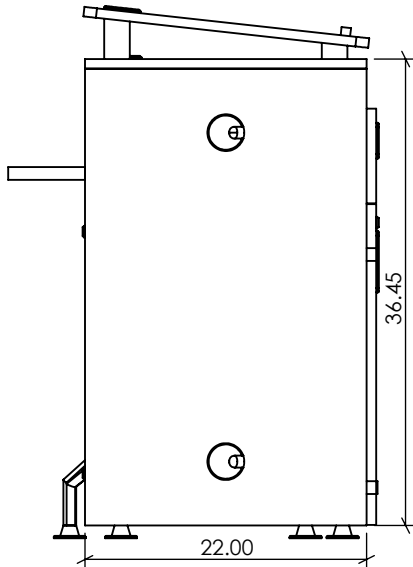
PROPRIETARY AND CONFIDENTIAL:

- The information in this drawing is the sole property of Exact Furniture Limited.  
- Specification subject to change without notice

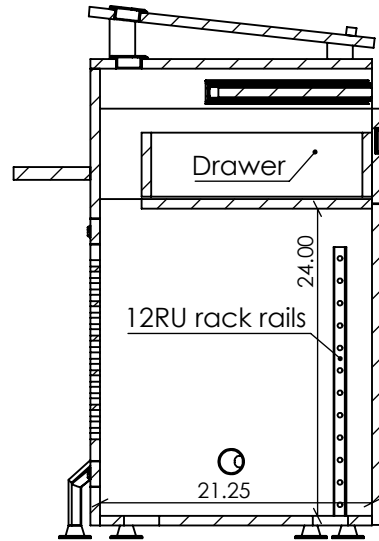
DO NOT SCALE DRAWING



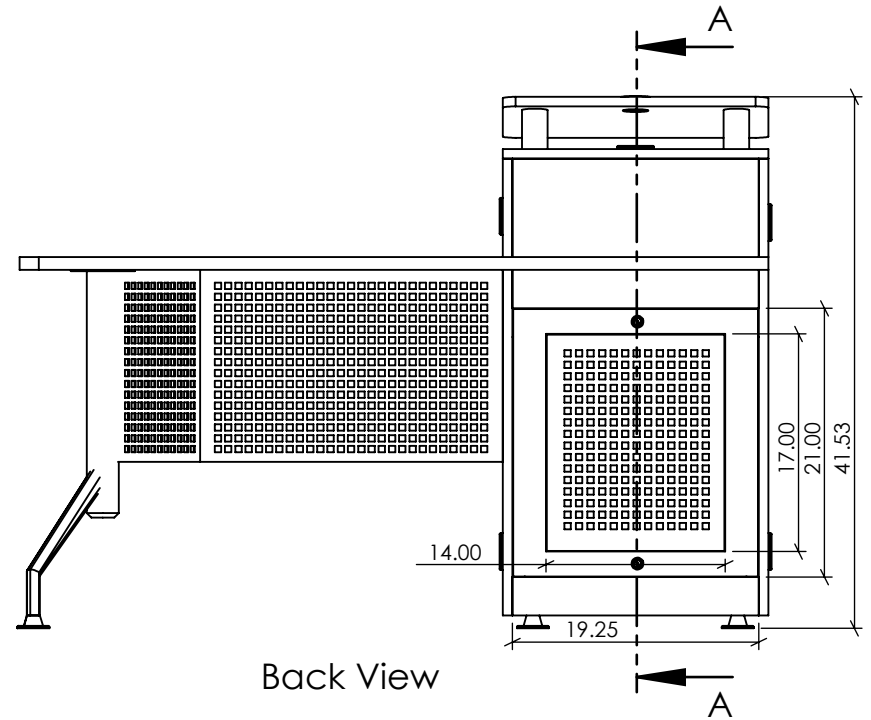
Bottom View



Right View



SECTION A-A



Back View



TITLE:  
PMT-100-L-RT

SCALE: 1:15	Date: March 18, 2021	SIGN OFF:
WEIGHT:	Customer:	
SHEET 2 OF 3	Model: Levelers	

SIZE	DWG. NO.	REV
------	----------	-----

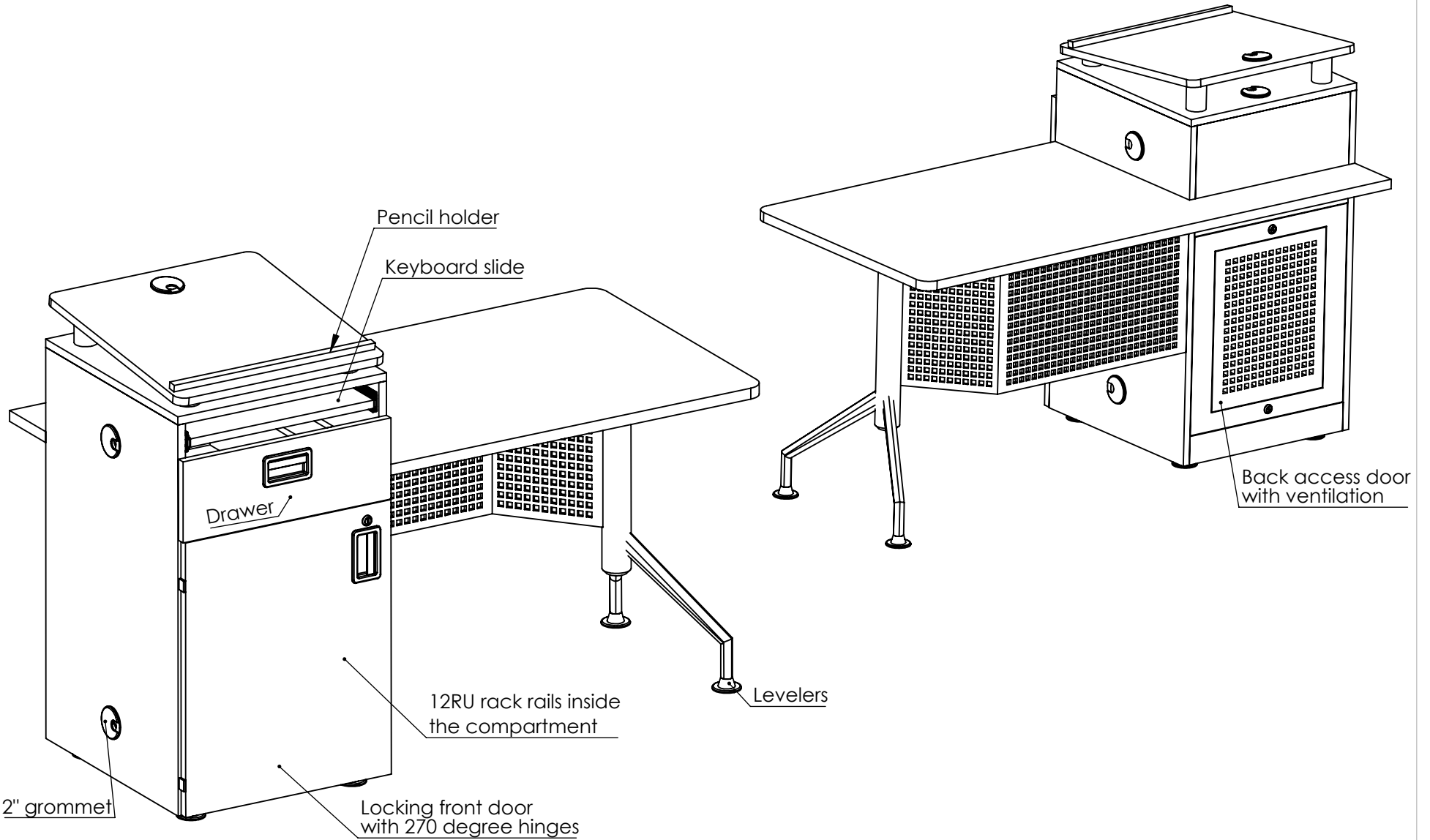
A

FINISH	COMMENTS:

DO NOT SCALE DRAWING

PROPRIETARY AND CONFIDENTIAL:

- The information in this drawing is the sole property of Exact Furniture Limited.  
- Specification subject to change without notice



TITLE:  
PMT-100-L-RT

SIZE	DWG. NO.	REV
A		

SCALE:	1:15	Date:	March 18. 2021	SIGN OFF:
WEIGHT:		Customer:		
SHEET 3 OF 3		Model:	Levelers	COMMENTS:
FINISH				

**PROPRIETARY AND CONFIDENTIAL:**

- The information in this drawing is the sole property of Exact Furniture Limited.  
- Specification subject to change without notice

DO NOT SCALE DRAWING