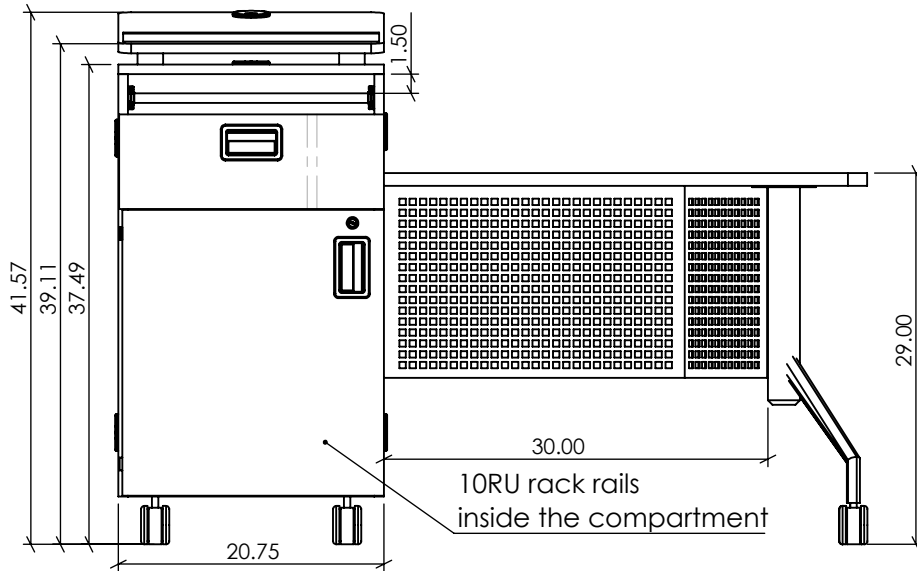
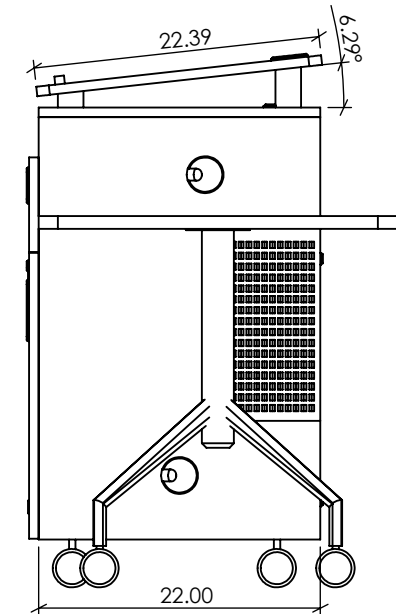


Top View



Presenter View



Left View



TITLE:
PMT-100-C-RT

SCALE: 1:15	Date: March 18, 2021	SIGN OFF:
WEIGHT:	Customer:	
SHEET 1 OF 3	Model: Casters	

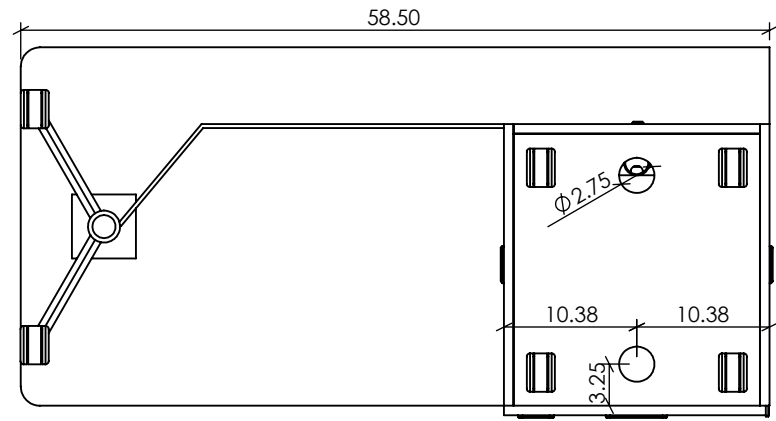
SIZE	DWG. NO.	REV
A		

FINISH	COMMENTS:
--------	-----------

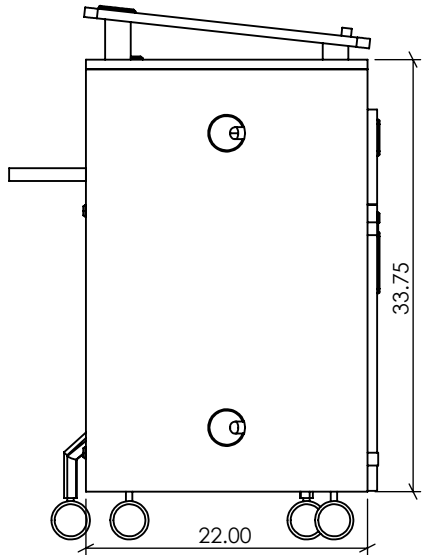
PROPRIETARY AND CONFIDENTIAL:

- The information in this drawing is the sole property of Exact Furniture Limited.
- Specification subject to change without notice

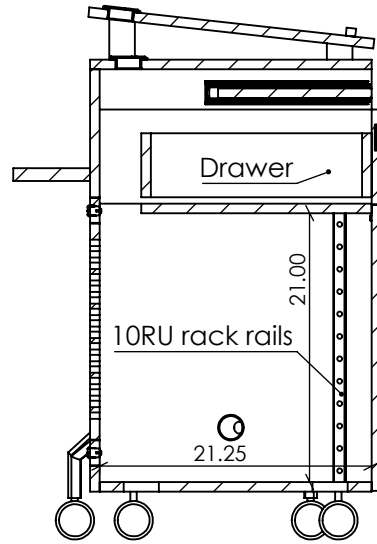
DO NOT SCALE DRAWING



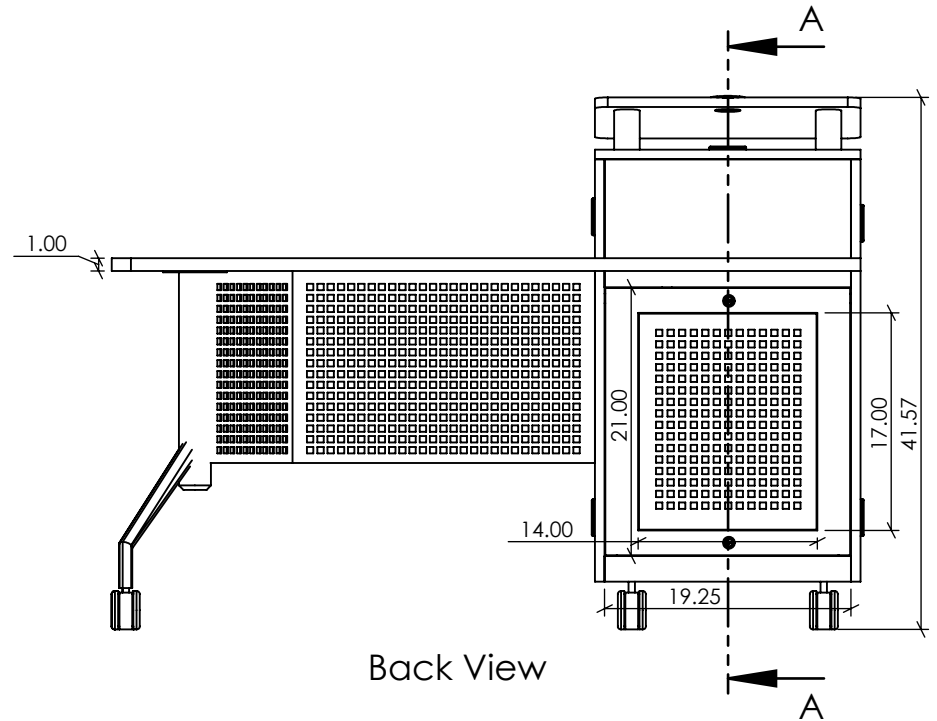
Bottom View



Right View



SECTION A-A



Back View



TITLE:
PMT-100-C-R

SCALE: 1:15	Date: March 18, 2021	SIGN OFF:
WEIGHT:	Customer:	
SHEET 2 OF 3	Model: Casters	

SIZE	DWG. NO.	REV
------	----------	-----

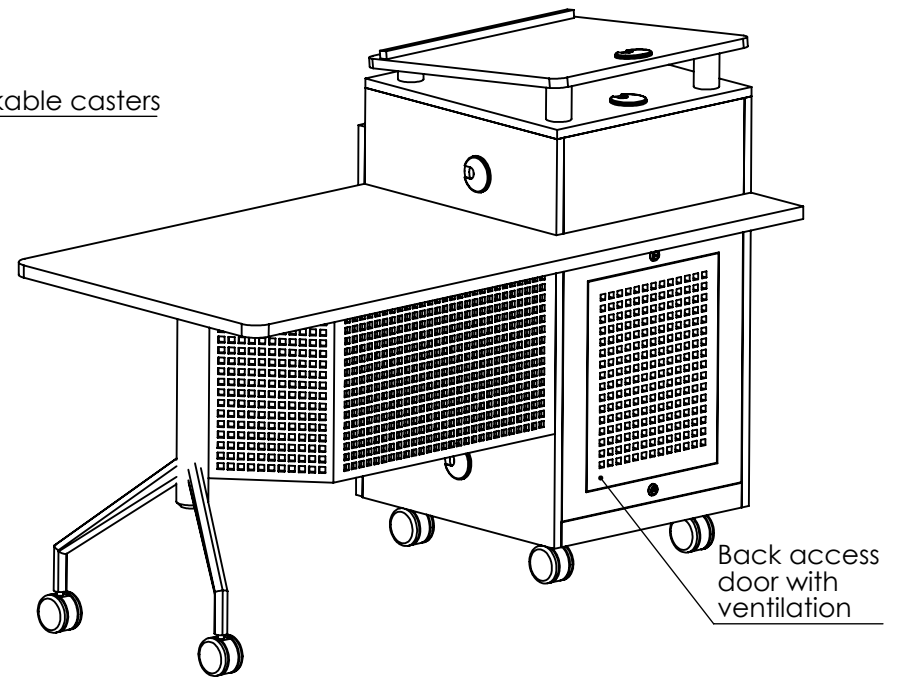
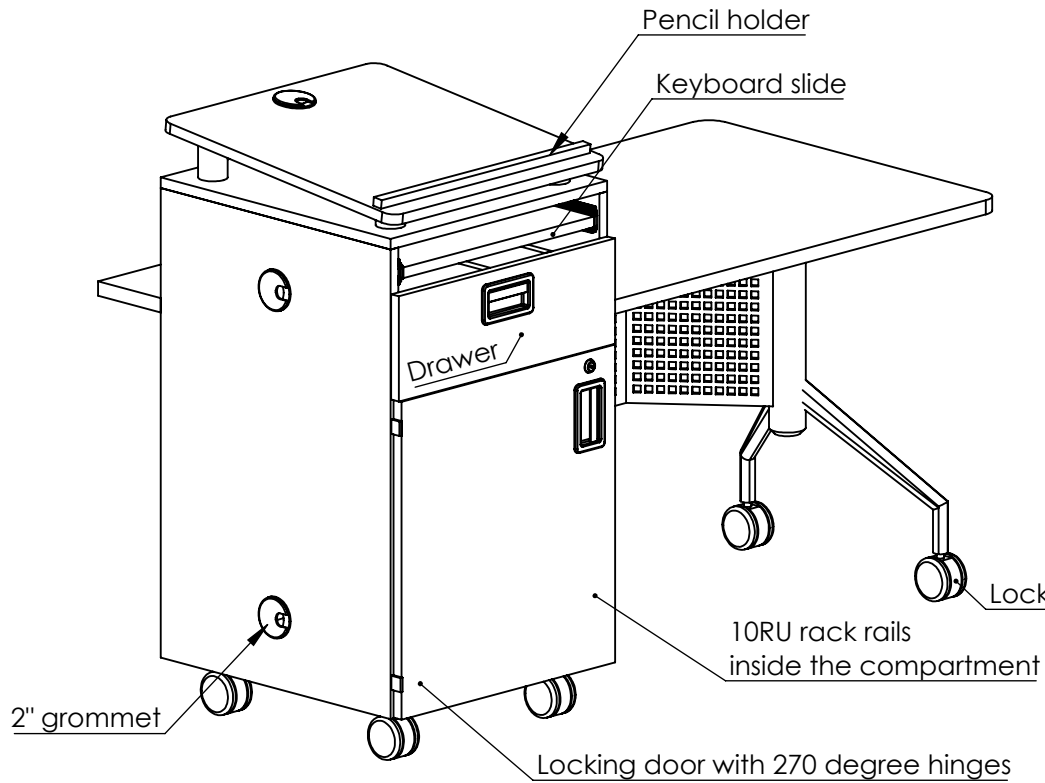
A

FINISH	COMMENTS:

PROPRIETARY AND CONFIDENTIAL:

- The information in this drawing is the sole property of Exact Furniture Limited.
- Specification subject to change without notice

DO NOT SCALE DRAWING



TITLE:
PMT-100-C-RT

SCALE: 1:15	Date: March 18, 2021	SIGN OFF:
WEIGHT:	Customer:	
SHEET 3 OF 3	Model: Casters	

SIZE	DWG. NO.	REV
------	----------	-----

A		
---	--	--

FINISH	COMMENTS:

PROPRIETARY AND CONFIDENTIAL:

- The information in this drawing is the sole property of Exact Furniture Limited.
- Specification subject to change without notice

DO NOT SCALE DRAWING